

# SLM16-P125L-0.7

## AO Deflector / Scophony Modulator



0121

### OPERATING PARAMETERS

Large aperture AO device for NIR applications including Scophony modulation and Signal Processing.

Operating Wavelength:	830-835 nm
Polarization:	Any
Center Frequency:	125MHz
3dB Bandwidth:	70MHz
$\tau\Delta f$ :	300
Active Aperture:	0.7mmH x 16mmL
Time Aperture:	4.4 $\mu$ s
Interaction Medium:	PbMoO <sub>4</sub>
Acoustic Velocity:	3.63mm/ $\mu$ s
Optical Surface Flatness:	$\lambda/10$ or better
Input Impedance:	50 $\Omega$
Input VSWR:	$\leq 2.5:1$ across RF Bandwidth
Optical Reflectivity:	$\leq 0.5\%$ /Surface
RF Power for Saturation:	3.0 W nominal
Diffraction Efficiency at 125MHz:	>80%, 3.0W RF power >60%, 1.5W RF power
Bragg Angle at 125MHz:	14.38 mrad
Separation Angle at 125MHz:	28.75 mrad

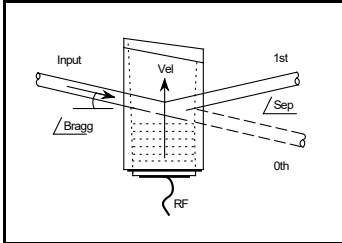
### DRIVERS

553F-4-125 fixed frequency, >3W

620C/630C-110 variable frequency, >1.5W

**ALL SPECIFICATIONS SUBJECT TO CHANGE WITHOUT NOTICE**  
 ISOMET CORP, 10342 Battlevue Parkway, Manassas, VA 20109, USA.  
 Tel: (703) 321 8301 Fax: (703) 321 8546  
 E-mail: [ISOMET@ISOMET.COM](mailto:ISOMET@ISOMET.COM) Web Page: [WWW.ISOMET.COM](http://WWW.ISOMET.COM)

**Quality Assured.**  
 In-house: Crystal Growth,  
 Optical Polishing,  
 A/R coating, Vacuum Bonding



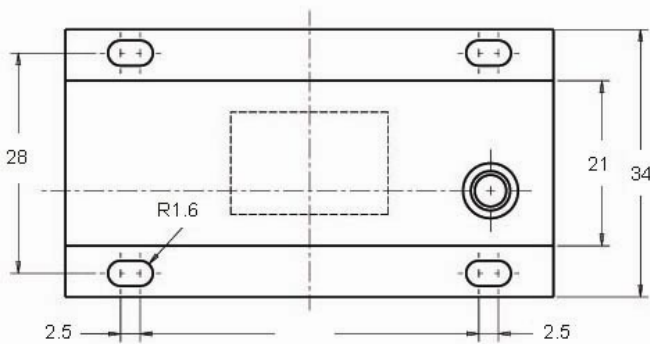
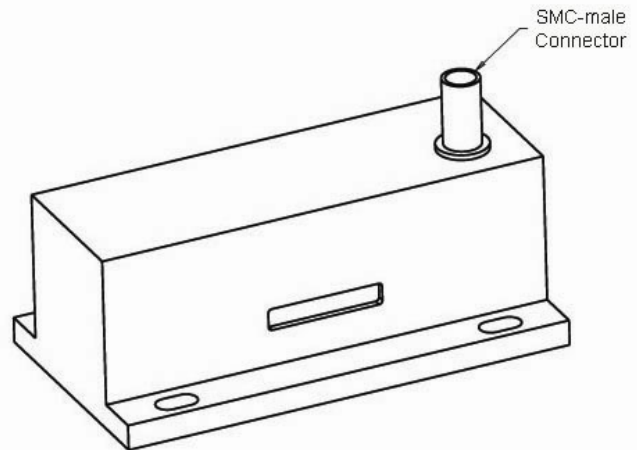
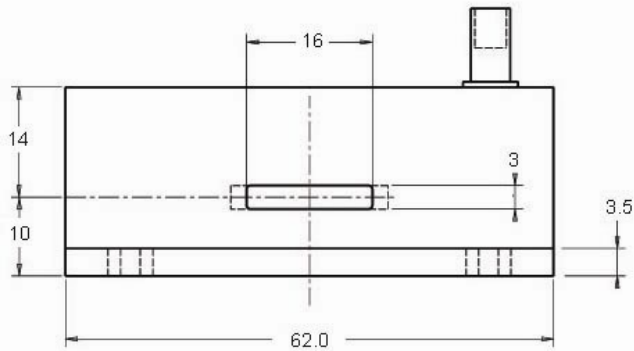
# SLM16-P125L-0.7

## AO Deflector / Scophony Modulator



0121

### OUTLINE DRAWING



Dimensions: mm

Mount on heat conducting surface

**ALL SPECIFICATIONS SUBJECT TO CHANGE WITHOUT NOTICE**  
 ISOMET CORP, 10342 Battlevue Parkway, Manassas, VA 20109, USA.  
 Tel: (703) 321 8301 Fax: (703) 321 8546  
 E-mail: [ISOMET@ISOMET.COM](mailto:ISOMET@ISOMET.COM) Web Page: [WWW.ISOMET.COM](http://WWW.ISOMET.COM)

**Quality Assured.**  
 In-house: Crystal Growth,  
 Optical Polishing,  
 A/R coating, Vacuum Bonding